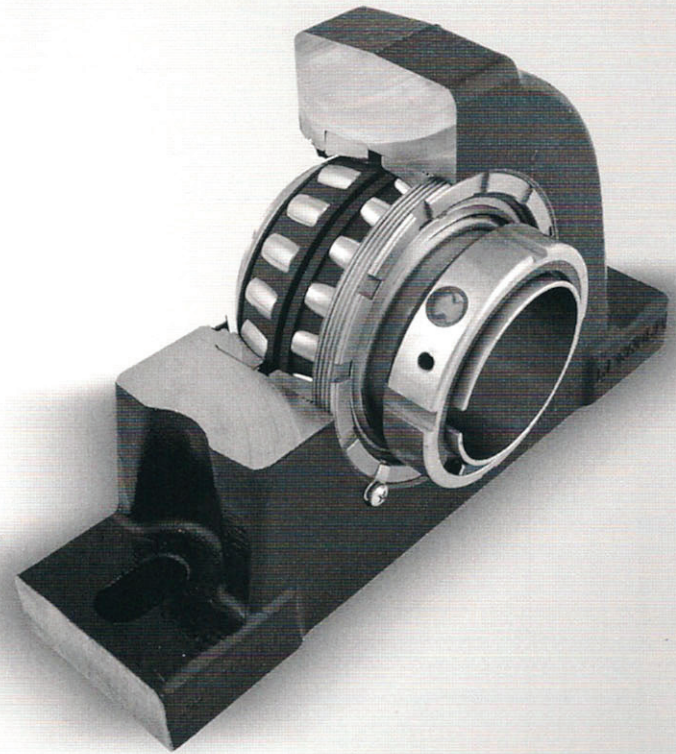


Trusted Brands. Reliable Performance.
Customer-Focused Solutions.



Rex® **Link-Belt®**

History of Innovation

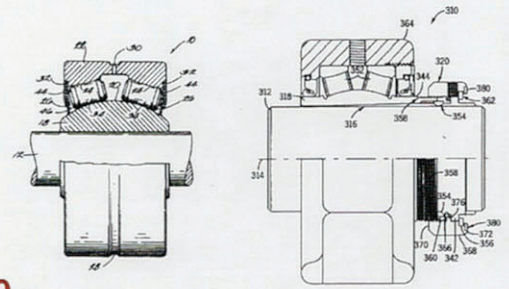
Platform Evolution

Today

Rex Roller Bearing platform enhancement. Geometry changed from hourglass to barrel roller, combined with improved tolerances, capacity and speed as well as reduced noise.



Today



1995 & 2010

Continuous Solutions

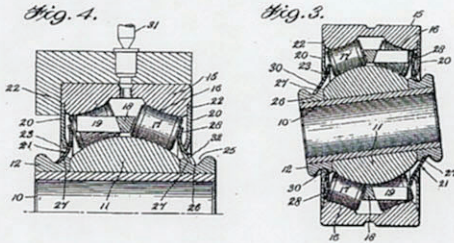
Patents 5,441,351 (1995) & 12/575,712 (2010)

Rexnord patents focus on custom solutions: oscillation and improved shaft attachments with SHURLOK®.

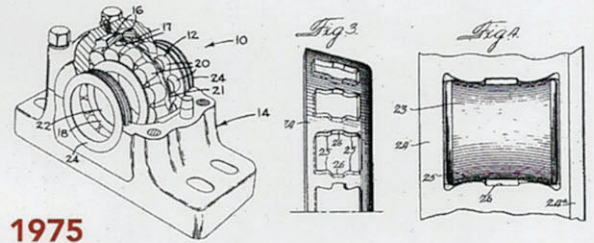
Improved Sealing Performance

Patent 2,767,037 (1956)

Chain Belt Co. (Rexnord) develops improved seals designed specifically for dynamic misalignment.



1956



1940 & 1975

Improved Roller Performance

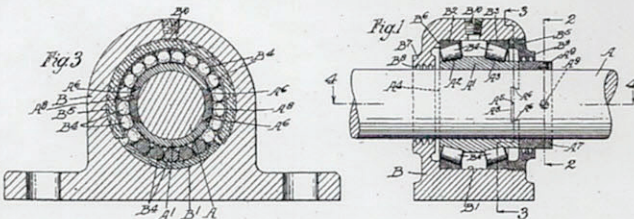
Patents 2,227,064 (1940) & 3,910,656 (1975)

Continued improvements through roller skew control and oscillation (roller and race profile matching).

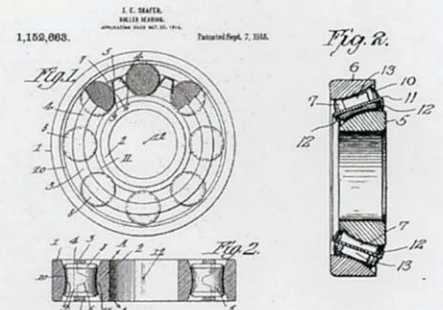
Mounted Roller Bearing

Patent 1,926,403 (1933)

Horace P. Phillips, of Link-Belt, invented a shaft-locking method for roller bearings.



1933



1915 & 1918

Shafer Roller Design

Patents 1,152,663 (1915) & 1,1551,334 (1918)

Julius E. Shafer was an innovator in the anti-friction bearing field. His unique roller and race design became the foundation for Rex and Link-Belt mounted roller bearings.

Customer Centric Production

Computer Numerical Control Machining Centers



State-of-the-art machining centers are utilized to process steel bars and tubes. In addition, robust machine centers produce the wide variety of bearing housings required to serve the market. These centers allow for maximum production flexibility when throughput and on-time customer deliveries are critical.

Heat Treat and Grinding

Multiple carburizing and through-hardening furnaces are utilized. They have the flexibility to handle multiple sized parts in a variety of lot sizes.

Grind and super finish capability on rings and rollers provide the enhanced performance our customers expect.



Kanban Supermarket

We utilize a broad selection of parts which are pulled from our Kanban Supermarket. This forward-deployed inventory provides the flexibility for quick turnaround on orders. The most popular components are always in stock and replenished daily. For maximum efficiency this inventory is located next to the assembly centers.

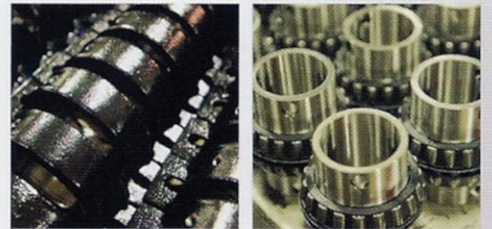


Indianapolis, IN

Centrally located 500,000 Sq. ft. midwest facility that is dedicated to making bearings. The location is capable of processing the entire bearing, from rings to housings. The broad, in-house capability allows Rexnord to control critical aspects of bearings in order to deliver the quality product our customers have come to expect.



Flexible Assembly



We have the ability to assemble one to 1,000+ lots with minimal or no changeover time. The flexible cells provide the most subtle custom variations: grease, clearance, lube fittings, etc. To ensure that every bearing meets our noise specification, they are 100 percent noise tested before being boxed for shipment.

Robust Product Platform

Direct Lubrication

Industry's only direct lubrication for mounted spherical bearings. Lubrication is applied to the rollers where needed vs. pushing the grease through a lube groove.

Cage Options

Polymeric for improved noise and steel for more rugged applications that involve high heat and shock.

Non-Standard Rollers

Unique roller design allows for improved load carrying capability, which provides greater life.

Super Finished Raceways

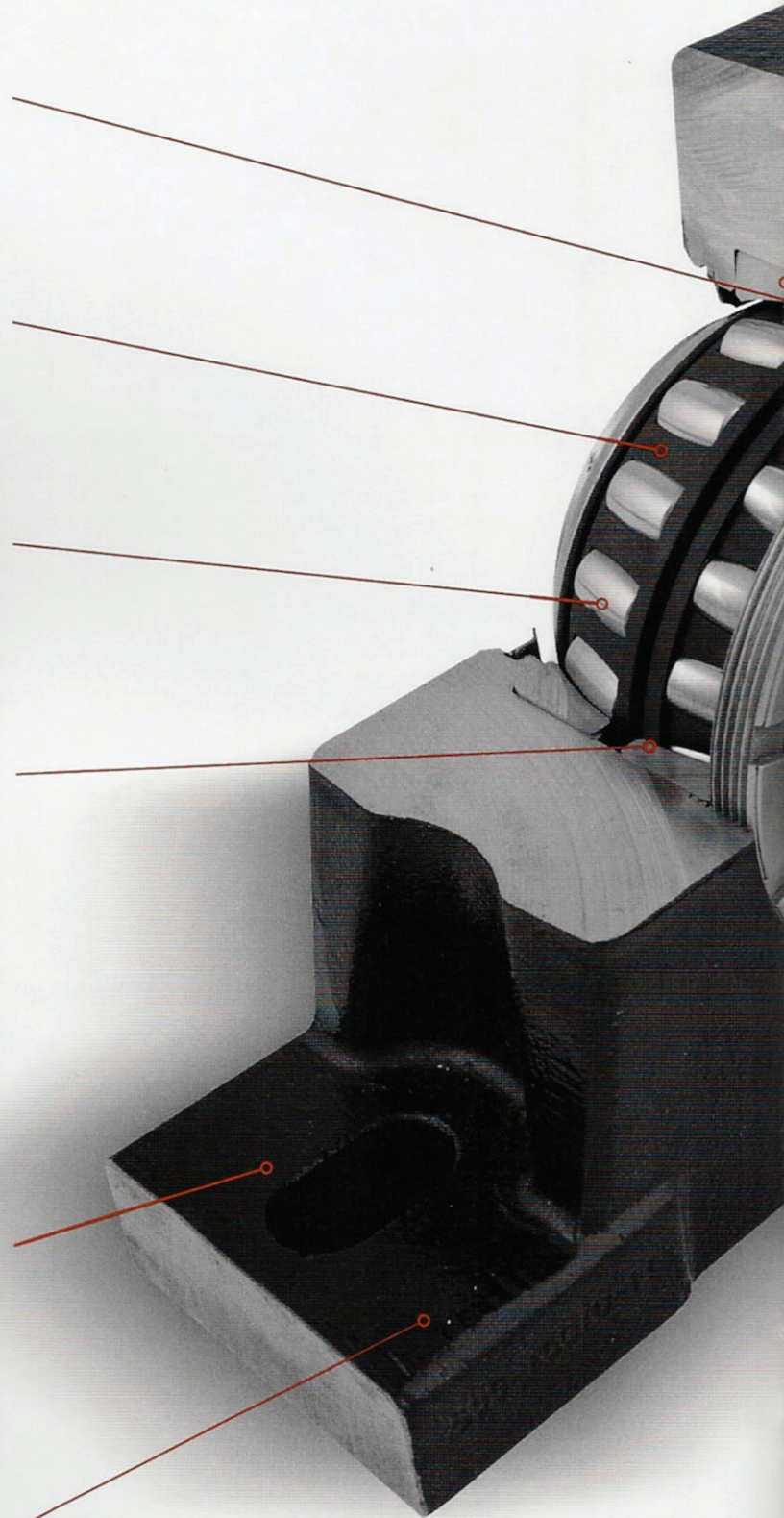
Allows the bearing to operate more quietly and cooler than before, contributing to improved life.

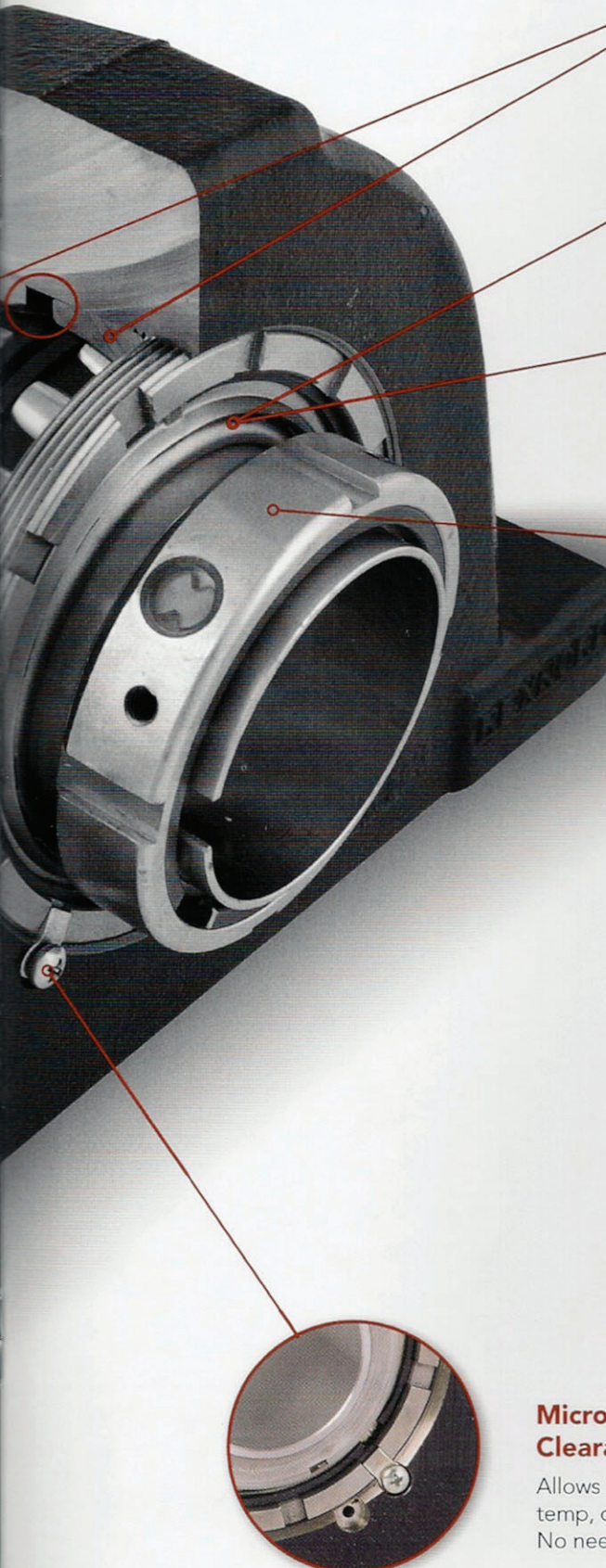
Durable Housing

In-house heavy section housings that utilize a corrosion-resistant protective, TGIC polyester powder coat surface layer.

On-Site Machined Housings

Allows for complete tolerance control and the utmost flexibility providing industry-leading delivery on standards and specials.





Two-Piece Outer Ring

Industry's only design that provides greater thrust capacity and misalignment capability as well as direct grease flow to the rollers.

Field Changeable Seals

Provides greater flexibility in the field to convert seals based on the application. This allows for customization.

Broad Seal Offering

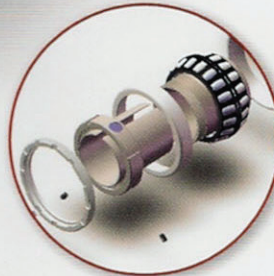
Non-Contact → Heavy Contact → Aux Caps

Multiple other seal options are available from stock and can be user-installed.

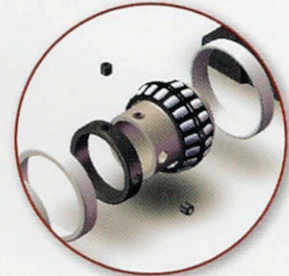
Multiple Shaft Attachment Options

The industry's best offering of shaft attachments. Robust designs based on your application needs.

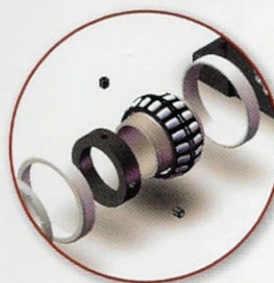
Adapter Mount



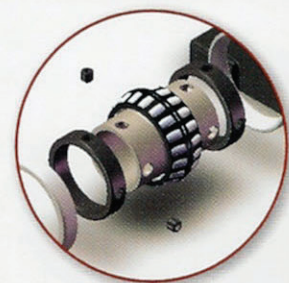
Single Set Collar



Eccentric Locking Collar



Double Set Collar



Micro-Loks – Adjustable Clearance

Allows for conversion to high speed, high temp, or shock-load applications in the field. No need to wait for a special order bearing.



Why Choose Rexnord?

When it comes to providing highly engineered products that improve productivity and efficiency for industrial applications worldwide, Rexnord is the most reliable in the industry. Commitment to customer satisfaction and superior value extend across every business function.

Delivering Lowest Total Cost of Ownership

The highest quality products are designed to help prevent equipment downtime, increase productivity and dependable operation.

Valuable Expertise

An extensive product offering is accompanied by global sales specialists, customer service and maintenance support teams, available anytime.

Solutions to Enhance Ease of Doing Business

Commitment to operational excellence ensures the right products at the right place at the right time.

Rexnord Corporation

Rexnord is a growth-oriented, multi-platform industrial company with leading market shares and highly trusted brands that serve a diverse array of global end markets.

Process and Motion Control

The Rexnord Process and Motion Control platform designs, manufactures, markets and services specified, highly engineered mechanical components used within complex systems where our customers' reliability requirements and the cost of failure or downtime are extremely high.

Water Management

The Rexnord Water Management platform designs, procures, manufactures and markets products that provide and enhance water quality, safety, flow control and conservation.



